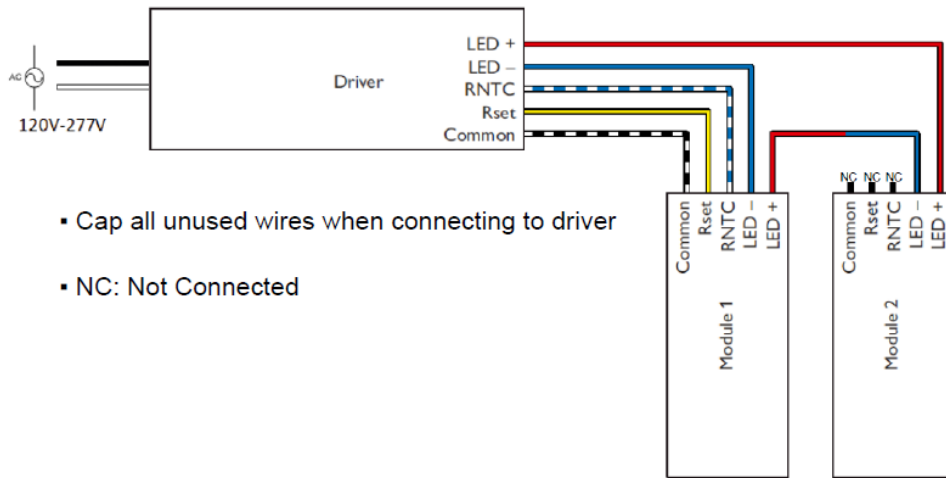
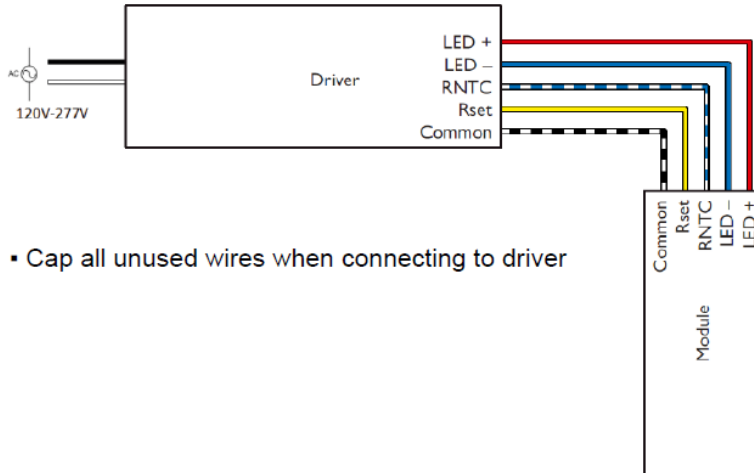


Wiring Diagram - MODEL R84-802P™ & MODEL R84-802C™



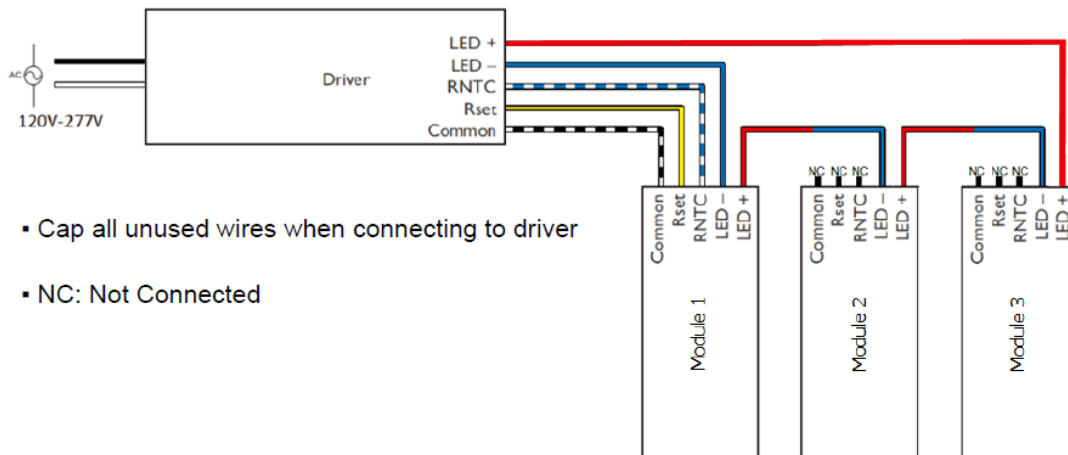
- Cap all unused wires when connecting to driver
- NC: Not Connected

Wiring Diagram - MODEL R42-402™ & MODEL R63-602™



- Cap all unused wires when connecting to driver

Wiring Diagram - MODEL R125-1200™



- Cap all unused wires when connecting to driver
- NC: Not Connected



Leading Energy Designs, Ltd.
www.LeadingEnergyDesigns.com
info@LeadingEnergyDesigns.com
 815-382-8852

